



Bank Note Paper Mill India Private Limited
Registered & Corporate office: Administrative Building,
Paper Mill Compound, Note Mudran Nagar,
Mysuru- 570003, Karnataka, India

Standard Biding Document (SBD)

Not Transferable

Tender Document for Supply of **Collapsible Plywood Packing Boxes** at BNPM – Mysore Site.

Tender No. BNPM/TEN/CPPB/270/2017-18 Dated 08.11.2017

The Tender Document contains 40 Pages

The Tender Document is sold to

Details of Contact person in BNPM regarding this tender

Name: Alok Kumar

Designation: Deputy General Manager

Address **Administrative Building,**
Paper Mill Compound,
Note Mudran Nagar, Mysuru- 570003, Karnataka, India
Phone 0821-2401-171/174 ; Fax 0821-2581154
Email alokkumar@bnpmindia.com,
bhoodhar@bnpmindia.com
Website: www.bnpmindia.com



BNPM/TEN/CP /270/2017-18 Dated 08.11.2017	BANK NOTE PAPER MILL INDIA PRIVATE LIMITED	SECTION: Index
	Master Index	SHEET i OF ii

MASTER INDEX

TO

STANDARD BIDDING DOCUMENT

BANK NOTE PAPER MILL INDIA PRIVATE LIMITED, MYSURU



CONTENTS - STANDARD BIDDING DOCUMENT

Section No	Specification no	Description
I.	BNPM/TEN/CPBP/270/2017-18 Dated 08.11.2017	Notice Inviting Tender (NIT)
II.	GIT	General Instructions to Tenderers
III.	SIT	Special Instructions to Tenderers
IV.	GCC	General Conditions of Contract
V.	SCC	Special Conditions of Contract
VI.	LOR	List of Requirements
VII.	TS	Technical Specifications
VIII.	QCR	Quality Control Requirements
IX.	QC	Qualifying Criteria
X.	TF	Tender Form/ Acceptance of Terms & Conditions
XI.	PS	Price Schedule
XII.	QUEST	Questionnaire
XIII.	BG-EMD	Bank Guarantee Form for EMD
XIV.	MAF	Manufacturer's Authorization Form-
XV.	BG-PS	Bank Guarantee Form for Performance Security-
XVI.	CF	Contract Form- Not Applicable
XVII.	LOA	Letter of Authority for attending Bid Opening
XVIII.	SA	Shipping Arrangements for Liner Cargoes - NOT APPLICABLE
XIX.	PBP	Proforma of Bills for Payment- NOT APPLICABLE
XX.	APQ	Application- Pre-qualification-
XXI.	IP	Proforma for Integrity Pact - NOT APPLICABLE



NIT**BANK NOTE PAPER MILL INDIA PRIVATE LIMITED**

SECTION: I

NOTICE INVITING TENDER

SHEET 1 OF 3

BANK NOTE PAPER MILL INDIA PRIVATE LIMITED
Administrative Building, Paper Mill Compound,
Note Mudran Nagar, Mysuru- 570003, Karnataka, India
Phone 0821-2401171/174 ; Fax 0821-2581154

Email alokkumar@bnpmindia.com, bhoodhar@bnpmindia.com, website:
www.bnpmindia.com

(Name, address, telephone no., Fax, e-mail, website etc. of the Unit)

BNPM/TEN/CPBP/270/2017-18 Dated 08.11.2017

1. Bidders satisfying the technical and commercial conditions specified in the bid and ready to supply the mentioned products in conformity with the Scope of work and Technical specification provided in NIT and terms and conditions stipulated herein may submit their commercial quotes as specified in the format of the document.
2. Tenders are invited in two parts (Techno-commercial & Financial) from eligible and qualified tenderers for supply of following Goods:

Sr. No.	Brief description of goods	Quantity in Sets	Earnest Money
1	Collapsible packing boxes (710x810x970)mm	10000	Rs.5,00,000/- (Rupees Five Lakhs)
2	Collapsible packing boxes (710x780x970)mm	2000	
3	Collapsible packing boxes (740x800x970)mm	10000	
4	Collapsible packing boxes (740x820x970)mm	10000	
5	Collapsible packing boxes (740x740x970)mm	3000	

Tender Number	BNPM/TEN/CPBP/270/2017-18 Dated 08.11.2017
Type of Tender (Two Bid)	Two Bid
Price of the tender Documents	Rs.5000/- + Taxes (for e-Tender)
Bid Submission Mode	Through e-tendering portal www.tenderwizard.com/BNP
Closing date and time for submission of bids along with supporting documents through e- tendering portal	01.12.2017, 1500 hours
Opeing date and time for submission of bids along with supporting documents through e- tendering portal	01.12.2017, 1600 hours



NIT	BANK NOTE PAPER MILL INDIA PRIVATE LIMITED	SECTION: I
	NOTICE INVITING TENDER	SHEET 2 OF 3

Nominated Person/Designation to receive the bulky tender (Clause 21.1 of GIT)	Mr. Bhoodhar Prasad Kewat (AM-SCM) Email: bhoodhar@bnpmindia.com T-0821-2401-174
---	--

3. Interested tenderers may obtain further information about this requirement from the above office selling the documents. They may also visit our website www.tenderwizard.com/BNP mentioned above for further details.
4. Non-refundable Tender fee is Rs. 5000/- per set plus applicable taxes. The payment shall be made through Electronic mode only.
5. Aspiring Bidders/Contractors who have not registered in e-tendering should register through the website E - Tendering (www.tenderwizard.com/BNP) for participating in the Online Tenders. The registration charges will be Rs. 3,000/- plus applicable taxes (per year) which needs to be paid through electronic mode only.
6. For details, registration and e-payment, please visit e-tendering website www.tenderwizard.com/BNP or contact e-tendering Helpdesk at 080-49352000 / Mr. Manohar/ M- 09686196156
7. The NIT Form with standard tender documents will be accessible in the e-Tendering website (viz www.tenderwizard.com/BNP).
8. Class III Digital Signature Certificate (DSC) is mandatory to participate in e-Tenders.
9. Participating bidders/Contractors have to make sure that they have the valid DSC. If not, they can procure from any of the RAs approved by CCA.
10. Bidders/Contractors should upload and attach all the Scanned copies of technical documents / certificates in e-tendering website www.tenderwizard.com/BNP pertaining to their eligibility criteria mentioned in the NIT, failing which, the bid will not be considered.
11. For those tenderers whose technical bids do not satisfy the eligibility criteria, their financial Bids will not be opened.
12. The tender shall contain two bid systems each of whose contents shall be as follows.

Pre-qualification Bid & Techno-commercial Bid should consist of clearly visible scanned copy of:

- I. Bid forwarding letter
- II. Power of Attorney in favour of the person who has signed the bid on stamp paper of appropriate value.



NIT	BANK NOTE PAPER MILL INDIA PRIVATE LIMITED	SECTION: I
	NOTICE INVITING TENDER	SHEET 3 OF 3

- III. Documents to establish conformity with Bidder's Qualification / Eligibility criteria.
- IV. ESIC, PAN details, service tax / GST registration, Scheduled bar chart, proposed organization chart.
- V. Earnest Money Deposit (To be paid through electronic mode only)
- VI. Deviations from GCC, SCC, SIT, GIT, if any
- VII. Schedule of deviations to technical specifications separately
- VIII. Technical details / documents specified in technical part
- IX. Blank copy (Without price) of Schedule of price duly signed & stamped on each page
- X. List of machinery as mentioned in tender section-IX

The bidder should submit the "Prequalification Bid & Techno-Commercial bid" in

E-tendering portal Financial Bid shall contain.

- i) Schedule of Prices duly filled in.

The bidder should submit the- "Financial Bid" in e-tendering portal.

- 13. Tenderers shall ensure that their tenders, duly signed, complete in all respects as per instructions contained in the Tender Documents, should be uploaded in e-tendering portal (www.tenderwizard.com/BNP) only.
- 14. In the event of any of the above mentioned dates being declared as a holiday / closed day for the purchase organisation, the tenders will be sold / received / opened on the next working day at the appointed time.
- 15. The tender documents are not transferable.

Yours Faithfully,

(Alok Kumar)
Deputy General Manager



GIT

BANK NOTE PAPER MILL INDIA PRIVATE LIMITED

SECTION: II

GENERAL INSTRUCTIONS TO TENDERERS

SHEET 1 OF 1

Kindly refer <http://bnpmindia.com/events.php> for further details

(GIT contains 26 pages)

This section-II shall be downloaded from website: www.bnpmindia.com under the section "Corporate Actions", signed & stamped and submitted along with the Techno Commercial Bid –Part II as acceptance of terms and conditions. **(Offer without the copies of section-II shall liable to be rejected).**



The following Special Instructions to Tenderers will apply for this tender. These special instructions will modify/ substitute/ supplement the corresponding General Instructions to Tenderers (GIT) incorporated in tender. The corresponding GIT clause numbers have also been indicated in the text below: In case of any conflict between the provision in the GIT and that in the SIT, the provision contained in the SIT shall prevail.

Sl No	GIT Clause No	Topic	Substitution / Replaced by
1.	12.5 and 12.6	Tender Prices	1.0
2.	35.0	Evaluation Criteria	5.0
3.	43.0	Parallel Contract	7.0
4.	52.0	Tenders Involving Samples	8.0

1. TENDER PRICES:

Tenderer shall quote strictly as per the Schedule of Price format provided in the e-tender website.

2. TENDER VALIDITY:

Bids shall remain valid for a period of 3 month for acceptance from the date of tender opening. For any extension in validity required, purchaser shall seek in writing, the same from the bidder.

3. EARNEST MONEY DEPOSIT (EMD):

EMD amount should be paid through electronic mode only i.e. through internet banking, credit card, debit card or bank guarantee.

4. Exemption from Payment of EMD:-

The tenderers who are currently registered and, also, will continue to remain registered during the tender validity period with DGS&D or with National Small Industries Corporation, New Delhi /MSME are exempted from payment of earnest money. In case the tenderer falls in these categories, it should furnish certified copy of its valid registration details (with DGS&D or NSIC or MSME as the case may be).

5. EVALUATION CRITERIA:

Techno-commercial bid/ Pre Qualification bid shall be opened together and however, the Techno-commercial bid of pre-qualified bidders who meets the eligibility criteria mentioned in section-IX shall be scrutinised and evaluated by the competent committee/ authority with reference to the parameters prescribed in the tender document. Subsequently, in the second stage the

financial bids of only technically acceptable offers as decided in first stage shall be opened for further scrutiny and evaluation. Intimation regarding opening of financial bids shall be given to acceptable tenderers to enable them to attend the financial bid opening, if they so desire.

The method of evaluation of bid for awarding the Contract shall be on schedule/item wise L1 basis only.

6. Parallel Contract:

BNPM reserves its rights to conclude Parallel contracts with Three (03) bidders in the ratio 50:30:20 at the L1 quoted price. The bidder firms can quote for the full quantity and the tender would be awarded accordingly if found L1. The firms should not quote for less than 25% for any of the schedules of the tendered quantity; otherwise their offer would be considered as unresponsive.

The total quantity may be distributed among Three (03) bidders in the ratio of 50:30:20 between L1, L2 and L3 respectively, at L1 rates only. Counter offers shall be given first to responsive L2 and L3 and so on respectively to match L1 rates. In case L2, L3, L4,.....& so on respectively, do not match with L1 rates, order for entire quantity shall be placed on L1 bidder itself. However, the competent authority would have the discretion to reject tenders above a particular price considered reasonable, though the required quantity may not be available upto the reasonable price.

7. One No. sample Collapsible Plywood Packing Box will be required before opening of Price Bid or as and when indicated by BNPM. Price Bids of only those bidders whose sample boxes are found to be acceptable based on visual inspection, load test e.t.c. and are as per the attached tender specifications, shall be considered for opening (Applicable for only for those bidders who has not submitted sample in previous tender or there sample got rejected).
8. SUBMISSION OF TENDERS:
Tenders shall be submitted electronically on BNPM e-tendering portal www.tenderwizard/BNP only.
9. Corrigendum/ Addendum, if any, including clarifications provided during pre-bid meeting shall be on Company's website www.bnpmindia.com and on e-tender website www.tenderwizard.com/BNP only.
- 10. The tenderer has the option to submit its quotation for any one or more schedules and, also, to offer special discount for combined schedules. However, while quoting for a schedule, the tenderer shall quote for the complete requirement of goods as specified in that particular schedule.**
11. TDS as applicable shall be deducted at source as prevailing guiding rules.

12. The Company discourages the engagement of agents for brokering contracts and hence intending bidders are requested to take note of the above that engagement of agents for brokering contracts may result in dis-qualification.
13. The company may be verified the production facility to satisfy itself about the capacity of the bidders as prequalification criteria. Bidders, whose facilities were inspected, have been rated points against criteria mentioned in Section-IX. A combined minimum of 30 points out of a maximum of 50 points are necessary to qualify for price bid opening.
14. Due to change in circumstances, ordered quantity may be cancelled by giving 02 (Two) months advance notice.

Following clauses in GIT are not applicable.

Sl No	GIT Clause No	Topic	Substitution / Replaced
1.	8.0	Pre-Bid Meeting	Not Applicable
2.	12.3 & 12.6	Tender Prices	Not Applicable
3.	13	Indian Agent	Not Applicable
4.	14.3, 14.4, 14.5, 14.6, 14.7	Firm Price/ Variable Price	Not Applicable
5.	32	Conversion of tender currencies to Indian rupees	Not Applicable
7.	50	Rate Contract Tenders	Not Applicable
8.	53	Expression of Interest (EOI) Tenders	Not Applicable
9.	54	Tenders for Disposal of Scrap	Not Applicable
10.	55	Development and indigenization Tenders	Not Applicable

Kindly refer <http://bnpmindia.com/events.php> for further details

(GCC contains 26 pages)

This section-II shall be downloaded from website: www.bnpmindia.com under the section "Corporate Actions" and signed & stamped and submitted along with the TechnoCommercial Bid –Part II as acceptance of terms and conditions.

(Offer without the copies of section-IV shall liable to be rejected)



The following Special Conditions of Contract (SCC) will apply for this purchase. The corresponding clauses of General Conditions of Contract (GCC) relating to the SCC stipulations have also been incorporated below. These Special Conditions will modify/substitute/supplement the corresponding (GCC) clauses.

Whenever there is any conflict between the provision in the GCC and that in the SCC, the provision contained in the SCC shall prevail.

(Clauses of GCC listed below include a possibility for variation in their provisions through SCC. There could be other clauses in SCC as deemed fit)

Sl No	GCC Clause No	Topic	Substitution/ Replaced by
1	10	Terms of Delivery	1
2	22, 22.1, 22.2, 22.3, 22.4, 22.6	Terms and Mode of Payments	2
3	6.1	Performance Bond/ Security	3
4	23.1,23.2	Delay in Supplier's Performance	4
5	19.3	Option clause	5
5	16	Warranty	Not Applicable
6	11.3	Transportation of Goods	Not Applicable
7	13	Spare Parts	Not Applicable
8	36	Integrity Pact	Not Applicable

1. Terms of Delivery:

- i. Delivery shall be start within 15 days from the date of PO , in stagared manner as per delivery schedule given by BNPMIPL.
- ii. PERIOD OF CONTRACT
The Contract for a period of one year from the date of LOI/PO and later extendable further six months at the same rate, terms and conditions of tender
- iii. It is the responsibility of the supplier to arrange for transportation and supply the material on DAP-BNPM MYSURU basis. BNPMIPL requires material on DAP site office, Note Mudran Nagar, Mysore basis only. The quoted price should be inclusive of Transit Insurance.

2. Terms and Mode of Payments:



100% amount of the invoiced value shall be released within 30 days on receipt and acceptance of goods by the consignee at destination and on production of all required documents by the supplier.

Payments to suppliers shall be made by account payee cheque or through ECS in INR only. Payments to suppliers shall be made by account payee cheque or through ECS in INR only.

3. Performance Bond/ Security:

Within twenty one days after the issue of purchase order by BNPM, the supplier shall furnish security deposit to BNPM for an amount equal to ten percent of the total value of the purchase order, valid upto 60 days after the date of completion of all contractual obligations by the supplier. Clause No. 6 of GCC refers in this regard.

4. Delay in supplier's performance:

i. Delivery Period:

In the event of an order, you shall be in position to start supplies within short notice and dispatches are to be effected as per delivery schedule given by BNPM from time to time.

ii. Delay or Non Delivery:

Time is essence of the contract and completion of delivery dates agreed to are binding on the seller. In the event the seller is not able to supply as per the delivery schedules given by BNPM, Purchaser will have a right either to cancel the order without prejudice to any other rights or to make purchase from an alternate source at the risk and cost of the seller.

In case of rejection and failure of replace goods, the order will be treated as incomplete and we may cancel the order and will arrange to purchase the goods from elsewhere at Bidder's risk and cost and the purchase order/LOI on you will be cancelled and action taken as per the order terms.

5. Purchaser may reserve the right to increase/decrease the ordered quantity by 25% at any time, till final delivery date of the contract, by giving reasonable notice.
6. Materials not meeting our specification will be rejected outright and the rejected material shall be taken back within 14 days at the cost and risk of the supplier and replacement should be made within 14 days from the date of intimation. No payment shall be made for rejected item.
7. Items shall be dispatched only after obtaining dispatch clearance from BNPM



LOR**BANK NOTE PAPER MILL PRIVATE LIMITED**

SECTION: VI

LIST OF REQUIREMENTS

SHEET 1 OF 1

Sr. No.	Brief description of goods	Quantity in Sets	Tech. Specification
1	Collapsible packing boxes (710x810x970)mm	10000	As per Annexure-IV
2	Collapsible packing boxes (710x780x970)mm	1500	
3	Collapsible packing boxes (740x800x970)mm	12000	
4	Collapsible packing boxes (740x820x970)mm	12000	
5	Collapsible packing boxes (740x740x970)mm	3000	

Remarks:

The quantity may vary +/- 25%.

Place of Delivery:

Engineering Stores,

Bank Note Paper Mill India Private Limited

Note Mudran Nagar, Paper Mill Compound,

Mysore-570003



TS

BANK NOTE PAPER MILL PRIVATE LIMITED

SECTION: VII

TECHNICAL SPECIFICATION

SHEET 1 OF 23

As mentioned in Annexure -IV



QC

BANK NOTE PAPER MILL PRIVATE LIMITED

SECTION: VIII

QUALITY CONTROL REQUIREMENT

SHEET 1 OF 1

As mentioned in Annexure - IV



The pre-qualification criteria for the same are given as under:

Individual/ firm/ company/ corporate other than limited company intending to bid should

be bonafide, experienced, technically competent, resourceful and financially sound to

carry out the assigned order.

The bidder should be-

- a. Registered under VAT/ CST/GST.
- b. Having valid permanent Income Tax A/c No. as allotted by the Income Tax Authority of Government of India.
- c. Not blacklisted/ debarred by BNPM/ Bharatiya Reserve Bank Note Mudran (P) Limited (BRBNMPL) / Security Printing & Minting Corporation of India Limited (SPMCIL) or any Govt. Departments.
- d. The detailed qualifying criteria are furnished below:

Item Categories	Description
Experience & Past Performance	Manufacturer / Dealer / Trader should have supplied at least 5000 Nos. of Collapsible Plywood Packing Boxes and in any one year during the last five years period ending 31.03.2017 . Proof of having successfully supplied Collapsible Plywood Boxes along with the work orders/ Purchase Orders/ performance certificate/ completion certificate indicating a) Name of Work / Order, b) Name of Customer, c) Value of Work, d) Any other information should also be submitted supporting the above information.
Equipment & Manufacturing Facilities	<p>1. Machinery [max. points: 20]: For quality CPPBs to be manufactured, a series of machinery are required:</p> <ol style="list-style-type: none"> a. <u>Cutting machine</u> b. <u>Chamfering machine</u> c. <u>Heat Treatment Chamber</u> d. <u>Hole punching machine</u> e. <u>Hydraulic pressing machine</u> f. <u>Profiling & Bending machine</u> g. <u>V- Cutting machine</u> h. <u>Pneumatic nail gun</u> <p>2. Storage Space [max. points: 10]: Adequate, clean and dedicated storage space is required to prevent the inventory of CPPBs from attracting debris and moisture.</p> <p>3. Tooling (Jigs) [max. points: 10]: In order to maintain dimensional accuracy and consistency between the runners that are fixed onto the base pallet, proper tooling and Jigs are to be used in the process. This will ensure that the runners are equidistant from both ends for all</p>

	<p>batches of pallets that are manufactured.</p> <p>4. Shop Floor/ Working area [max. points: 05]: Various activities in the manufacturing of CPPBs result in fine dust and small wood chips to settle on the floor, machinery as well as are suspended in the air, making the area difficult and unsafe to work in.</p> <p>5. Defects traceability [max. points: 05]: If a certain number of CPPBs are found to be defective after receiving at site, it should be possible for the supplier to identify the particular batch in which the boxes were manufactured. This is particularly important for identifying defects in the wood and tin sheet.</p> <p>BNPM may be verify the bidder's equipment and manufacturing facilities as a prequalification criteris of tender. A combined minimum of 30 points out of a maximum of 50 points are necessary to qualify for opening the price bid.</p>
Capacity	<p>The Bidder firm must have an annual capacity to manufacture and supply at least 5000 Nos. of Collapsible Plywood Packing Boxes.</p> <p>The vendor should be capable of supplying a minimum of 80 No. of boxes per day or 2000 No. of boxes per month.</p>
Financial Standing	<ol style="list-style-type: none"> 1. Bidder Firms should not have suffered any financial loss for more than one year during the last three years period ending 31.03.2017. 2. The net worth of the firm should not have eroded by more than 30% in the last three years period ending 31.03.2017. 3. Average annual turnover of the bidder firm during last three years period ending 31-03-2017 should be more than 2 Crores/-

Bidder shall qualify for all the technical, financial and other pre-qualification Criteria

Note -1:

All experience& past performance/ Equipment & ManufacturingFacilities / capacity/ capability related/ data should be certified by the authorised signatory of

the bidder firm. The credentials regarding experience and past performance to the extent required as per eligibility criteria submitted by bidder may be verified from the parties for whom work has been done.

Note -2:

Documents to be submitted in support of Pre-qualification Criteria

The following documents should be submitted by the firm to prove the pre-qualification Criteria.

1. Company's Profile including details along with copy of following documents:
 - i. Certificate of Incorporation/ Registration
 - ii. Constitution of business, in case of business in individual name
 - iii. Partnership deed , in case of partnership
 - iv. Memorandum of Association and Articles of Association, in case of Limited company.
 - v. Memorandum of Association by corporate other than Limited company
2. In support of technical standing copy of purchase order/work order/agreement and/ or work completion certificate issued by competent authority of the customer duly certified by authorised signatory.
3. In support of financial standing copies of audited balance sheets and Profit & Loss account should be certified by authorised signatory. In case of unaudited balance sheet, same should be certified by certified accountant's e.g. Chartered Accounts (CA) in India and Certified Public Accountant/ Chartered Accountants of other countries.
4. Declaration that the firm has not been blacklisted/ debarred by BNPMIPL/BRBNMPL /SPMCIL or any Govt. Departments duly signed by authorised signatory. (Annexure 1)
5. Declaration Acceptance of terms & conditions of tender (Annexure 2)
6. Compliance Format (Annexure 3)
7. Copies of PAN/GST and Professional Tax Certificates etc. to be submitted along with the bid.
8. Format for the annexures indicated in the preceding paragraphs are available in section XXI which the bidder may refer to.
9. List of equipment and machinery as per attached Annexure-III
10. Any other relevant document the firm wishes to submit

Bidder to furnish stipulated documents in support of qualifying criteria. Non-submission or Incomplete submission of documents may lead to rejection of offer.

TF	BANK NOTE PAPER MILL INDIA PRIVATE LIMITED	SECTION: X
	TENDER FORM (ACCEPTANCE OF TERMS & CONDITIONS)	SHEET 1 OF 1

To _____ Date _____

Bank Note Paper Mill India Private Limited
Administration Building,
Note Mudran Nagar,
Mysuru- 570003

Ref: Your Tender document No.....dated.....

We, the undersigned have examined the above mentioned tender enquiry document, including amendment No. -----, dated ----- (if any), the receipt of which is hereby confirmed. We now offer to supply and deliver..... (description of goods and services) in conformity with your above referred document for the sum as shown in the price schedule(s), attached herewith and made part of this tender.

If our tender is accepted, we undertake to supply the goods and perform the services as mentioned above, in accordance with the delivery schedule specified in the List of Requirements.

We further confirm that, if our tender is accepted, we shall provide you with a performance security of required amount in an acceptable form in terms of GCC clause 6, read with modification, if any, in Section V- "Special Conditions of Contract", for due performance of the contract.

We agree to keep our tender valid for acceptance for a period up to month, as required in the GIT clause 19, read with modification, if any in Section-III -"Special Instructions to Tenderers" or for subsequently extended period, if any, agreed to by us. We also accordingly confirm to abide by this tender up to the aforesaid period and this tender may be accepted any time before the expiry of the aforesaid period. We further confirm that, until a formal contract is executed, this tender read with your written acceptance thereof within the aforesaid period shall constitute a binding contract between us.

We further understand that you are not bound to accept the lowest or any tender you may receive against your above-referred tender enquiry.

(Signature with date)

(Name and designation)

Duly authorized to sign tender for and on behalf of

Bidder shall use this covering letter while submitting the offer.



BANK NOTE PAPER MILL INDIA PRIVATE LIMITED

SECTION XI

SP

SCHEDULE OF PRICE – Collapsible Plywood Packing Boxes

SHEET 1 OF
1

S. No.	Details of heads	GST HSN	Quantity in Sets (A)	Unit Price ₹ (B)	P&F per unit (if any) ₹ (C)	GST @.....% (₹ per unit) (D)	Total Value E=(A*(B+C+D)) ₹
1	Collapsible packing boxes (710x810x970)mm	4415	10000				
2	Collapsible packing boxes (710x780x970)mm	4415	2000				
3	Collapsible packing boxes (740x800x970)mm	4415	10000				
4	Collapsible packing boxes (740x820x970)mm	4415	10000				
5	Collapsible packing boxes (740x740x970)mm	4415	3000				
Grand Total(1+2+3+4+5)							
Grand Total In Words:							

Remarks:

1. Price is to be quoted strictly as per the above format.
2. Unit price should be determined excluding of GST paid on raw material as input tax credit and provide a declaration stating that all GST input tax credit available on raw material have been passed on in the unit price.

Authorized Signatory

Name of the Person Signing the Tender

Designation

Name of Firm

Seal with address



QUEST	BANK NOTE PAPER MILL INDIA PRIVATE LIMITED	SECTION: XII
	QUESTIONNAIRE	SHEET 1 OF 1

The tenderer should furnish specific answers to all the questions/ issues mentioned below. In case a question/ issue do not apply to a tenderer, the same should be answered with the remark "not applicable".

Wherever necessary and applicable, the tenderer shall enclose certified copy as documentary proof/ evidence to substantiate the corresponding statement.

In case a tenderer furnishes a wrong or evasive answer against any of the under mentioned question// issues, its tender will be liable to be ignored.

1. Brief description of goods and services offered:
2. Offer is valid for acceptance up to
3. Your permanent income tax A/c no. as allotted by the Income Tax Authority of Government of India
(Please attach certified copy of your latest/ current Income Tax clearance certificate issued by the above authority)
4. Status:
 - a) Are you currently registered with the Directorate General of Supplies & Disposals (DGS&D), New Delhi, and/ or the present BNPMIPL and/ or the Directorate of Industries of the concerned State Government for the goods quoted? If so, indicate the date upto which you are registered and whether there is any monetary limit imposed on your registration.
 - b) Are you currently registered under the Indian Companies Act, 1956 or any other similar Act?
(Please attach certified copy (s) of your registration status etc. in case your answer (s) to above queries is in affirmative.
5. Please indicate name & full address of our Banker(s)
6. Please state whether business dealings with you currently stand suspended/ banned by any Ministry/ Dept of Government of India or by any State Govt.

.....

.....

(Signature with date)

(Full name, Designation & address of the person duly authorised sign on behalf of the tenderer)

For and on behalf of

.....

.....

(Name, address and stamp of the tendering firm)

ISSUE
R0



**BG-
EMD**

BANK NOTE PAPER MILL INDIA PRIVATE LIMITED

SECTION: XIII

BANK GUARANTEE FORM FOR EMD

SHEET 1 OF 1

Beneficiary:
Bank Note Paper Mill India Private Limited
Administrative Building,
Paper Mill Compound, Note Mudran Nagar,
Mysuru- 570003, Karnataka, India

Whereas.....(hereafter called the "Tenderer") has submitted its quotation dated.....for the supply of..... (herein after called the "tender") against Bank Note Paper Mill India Private Limited's tender enquiry No.....Know all persons by these presents that we.....of (hereinafter called the "Bank") Having our registered office at.....

Are bound unto Bank Note Paper Mill India Private Limited (hereinafter called the "BNPMIPL") In the sum offor which payment will and truly to be made to the said BNPMIPL, the Bank binds itself, its successors and assigns by these presents.

Sealed with the Seal of the said Bank this.....day of.....20.....

The conditions of this obligation are –

- 1) If the Tenderer withdraws or amends, impairs or derogates from the tender in any respect within the period of validity of this tender.
- 2) If the tenderer having been notified of the acceptance of his tender by BNPMIPL during the period of its validity:-
 - a) fails or refuses to furnish the performance security for the due performance of the contract
 - b) fails or refuses to accept/ execute the contract.

We undertake to pay Bank Note Paper Mill India Private Limited up to the above amount upon receipt of its first written demand, without Bank Note Paper Mill India Private Limited having to substantiate its demand, provided that in its demand BNPMIPL will note that the amount claimed by it is due to it owing to the occurrence of one or both the two conditions, specifying the occurred condition (s).

This guarantee will remain in force for a period of forty five days after the period of tender validity and any demand in respect thereof should reach the Bank not later than the above date.

Signature of the authorized officer of the Bank)

Name, authorization/ signature no. and designation of the officer



BANK GUARANTEE FORM FOR PERFORMANCE SECURITY

..... (Insert: Bank's Name, and Address of Issuing Branch or Office) Beneficiary:

Bank Note Paper Mill India Private Limited

Registered corporate office ,

Administrative Building

Note Mudran Nagar

Mysore 570003

Date:.....

Performance Guarantee No.: WHEREAS.....(name and address

of the supplier) (hereinafter called "the supplier") has undertaken, in pursuance of LOI (Letter of Intent) no..... dated to supply (description of goods and services) (herein after called "the contract").

AND WHEREAS it has been stipulated by you in the said LOI that the supplier shall furnish you with a bank guarantee by a scheduled commercial bank recognized by you for the sum specified therein as security for compliance with its obligations in accordance with the LOI;

AND WHEREAS we have agreed to give the supplier such a bank guarantee;

NOW THEREFORE we hereby affirm that we are guarantors and responsible to you, on behalf of the supplier, up to a total of (amount of the guarantee in words and figures), and we undertake to pay you, upon your first written demand declaring the supplier to be in default under the contract and without cavil or argument, any sum or sums within the limits of (amount of guarantee) as aforesaid, without your needing to prove or to show grounds or reasons for your demand or the sum specified therein.

We hereby waive the necessity of your demanding the said debt from the supplier before presenting us with the demand. We further agree that no change or addition to or other modification of the terms of the contract to be performed thereunder or of any of the contract documents which may be made between you and the supplier shall in any way release us from any liability under this guarantee and we hereby waive notice of any such change, addition or modification.

We undertake to pay Bank Note Paper Mill India Private Limited up to the above amount upon receipt of its first written demand, without Bank Note Paper Mill India Private Limited having to substantiate its demand.

This guarantee will remain in force for a period of sixty days after the currency of this contract and any demand in respect thereof should reach the Bank not later than the above date.

.....

(Signature of the authorized officer of the Bank)

Name, authorisation/ signature no. and designation of the officer

Seal, name & address of the Bank and address of the Branch



CF

BANK NOTE PAPER MILL INDIA PRIVATE LIMITED

SECTION: XVI

CONTRACT FORM

SHEET 1 OF 1

Not applicable



MAF

BANK NOTE PAPER MILL INDIA PRIVATE LIMITED

SECTION: XIV

Manufacturer's Authorization Form-

SHEET 1 OF 1

To,
Bank Note Paper Mill India Private Limited
Registered corporate office,
Administrative Building
Note Mudran Nagar
Mysore 570003

Dear Sir,

Ref. Your Tender document No.....dated.....

We,, who are proven and reputable manufacturers of (Name and description of the goods offered in the tender) having factories at.....hereby authorise Messrs (name and address of the agent) to submit a tender, process the same further and enter into a contract with you against your requirement as contained in the above referred tender enquiry documents for the above goods manufactured by us.

We further confirm that no supplier or firm or individual other than Messrs. (name and address of the above agent) is authorized to submit a tender, process the same further and enter into a contract with you against your requirement as contained in the above referred tender enquiry documents for the above goods manufactured by us.

We also hereby extend our full warranty, as applicable as per clause 16 of the General Conditions of Contract read with modification, if any, in the Special Conditions of Contract for the goods and services offered for supply by the above firm against this tender document

Yours faithfully,

(Signature with date, name and designation)

For and on behalf of Messrs

.....

[Name&address of the
Manufactures)

Note: This letter of authorisation should be on the letter head of the manufacturing firm and should be signed by a person competent and having the power of attorney to legally bind the manufacturer.



	BANK NOTE PAPER MILL INDIA PRIVATE LIMITED	SECTION: XVII
LOA	LETTER OF AUTHORITY FOR ATTENDING A BID OPENING	SHEET 1 OF 9

To,
The General Manager
Bank Note Paper Mill India Pvt. Ltd.
Mysuru-570003

Subject: Authorization for attending bid opening on---- - ---(date) in the Tender of

Following persons are hereby authorized to attend the bid opening for the tender mentioned above on behalf (Bidder) in order of preference given below.

Order of Preference	Name	Specimen Signatures
1.		
2.		
Alternate Representative		
Signature of Bidder or Officer authorised to sign the bid on behalf of Bidder		

Note:

1. Maximum of two representatives will be permitted to attend bid opening. In cases where it is restricted to one, first preference will be allowed. Alternate representative will be permitted when regular representatives are not able to attend.
2. Permission for entry to the hall where bids are opened may be refused in case authorization as prescribed above is not produced.



SA

BANK NOTE PAPER MILL INDIA PRIVATE LIMITED

SECTION: XVIII

SHIPPING ARRANGEMENT FOR LINER CARGOES

SHEET 1 OF 1

Not Applicable



APQ

BANK NOTE PAPER MILL INDIA PRIVATE LIMITED

SECTION: XX

APPLICATION- PRE-QUALIFICATION

SHEET 1 OF 5

To
Bank Note Paper Mill India Private Limited
Registered corporate office ,
Administrative Building
Note Mudran Nagar
Mysore 570003

I / We have read and understood the Pre-qualification tender notice and instructions to the applicants and apply herewith for pre-qualification. . I / We furnish the information in the prescribed format including supplementary sheets fromfor your consideration. I/We do declare that the information furnished is correct and true to the best of my/our knowledge and belief.

Yours faithfully

Signature.....

Name:.....

Designation:.....

Seal.....



BASIC INFORMATION

1	Name of the applicant / organization and address of the registered office/business office.	
2	(a) Whether bidder is OEM (b) Address of the manufacturing facility in India (c) Annual Capacity of manufacturing facility	Yes / No
3	Type of the organization (whether Sole Proprietorship / Partnership / Private Limited / Limited or Cooperative Body etc).	
4	Name of the Proprietor / Partners / Directors of the Organization / Firm as the case may be.	(a) (b) (C)
5	Details of Registration – (whether Partnership firm, Company etc) – Name of Registering Authority, Date, Registration No etc.	
6	Whether registered with Government / Semi- Government / Municipal Authorities or any other Public Organization as a vendor and if yes provide details thereof.	
7	Pre-Qualification applied for (Please tick the appropriate equipment/system)	a)
8	Experience in this field (Enclose documentary evidence)	____ Years
9	Address of office through which the proposed work will be handled and the name and designation of the Officer-in-charge.	

APQ**BANK NOTE PAPER MILL INDIA PRIVATE LIMITED**

SECTION: XX

APPLICATION- PRE-QUALIFICATION

SHEET 3 OF 5

10	Names of Bankers and their full addresses	
11	Whether any civil suit / litigation arisen in the contracts executed during the last five years / being executed now. If yes, please furnish the details in the proforma given below.	
12	Has the applicant been blacklisted/ debarred by BNPMIPL/ BRBNMPL /SPMCIL or any Govt. Departments.	Yes/NO

(If yes please provide the details.)

Signature of the Applicant _____

Name-----

Designation-----

Date-----

Stamp of the Organization-----



(To be submitted on the letterhead)

DECLARATION

We do hereby declare that we have not been blacklisted/ debarred by BNPMIPL/ BRBNMPL /SPMCIL or any Govt. Departments. The information provided above is correct and true to the best of my knowledge and belief. In case, at any time the information furnished is found to be false, you may disqualify/debar me/us as deemed fit.

Signature _____

Name-----

Designation-----

Date-----

Stamp of the Organization-----



(To be submitted on the letterhead)

DECLARATION

We do hereby declare that we have read and understood all terms and conditions of tender document including GIT, SIT, GCC and SCC and confirm to abide to those conditions without any counter conditions.

Signature _____

Name-----

Designation-----

Date-----

Stamp of the Organization-----



EQUIPMENT AND MACHINERY LIST

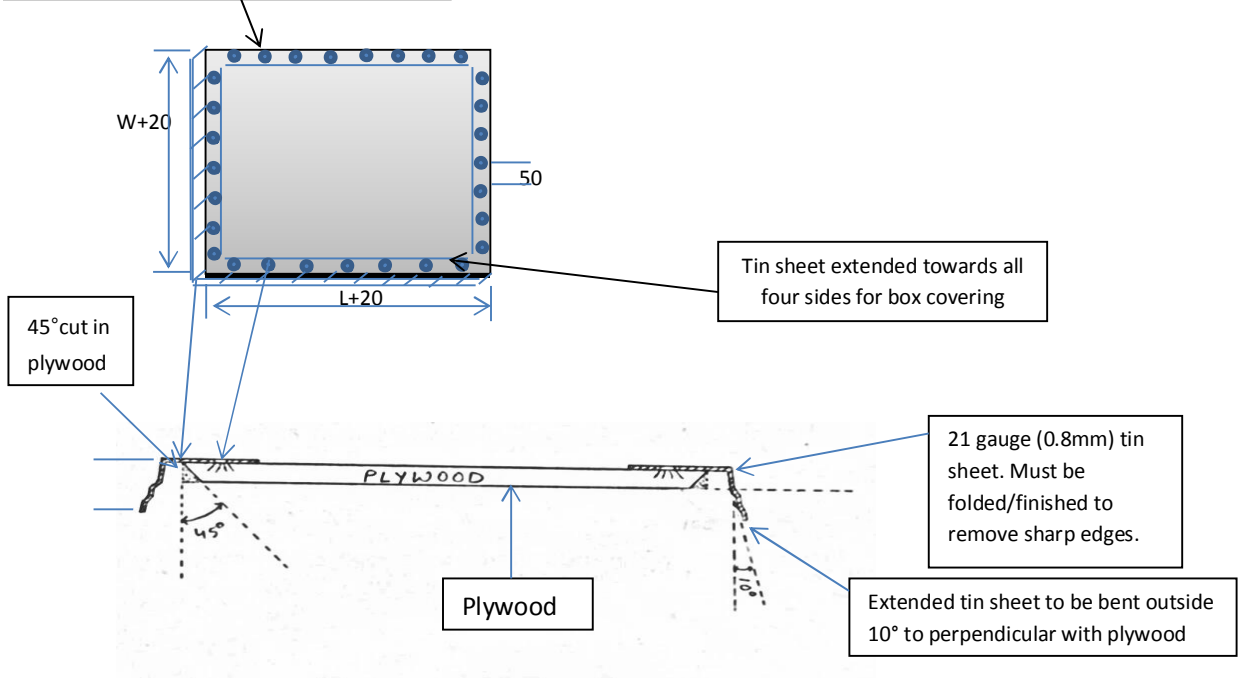
List of Machinery	Availability
Cutting machine	
Chamfering machine	
Heat Treatment Chamber	
Hole punching machine	
Hydraulic pressing machine	
Profiling & Bending machine	
V- Cutting machine	
Pneumatic nail gun	
OTHERS IF ANY	



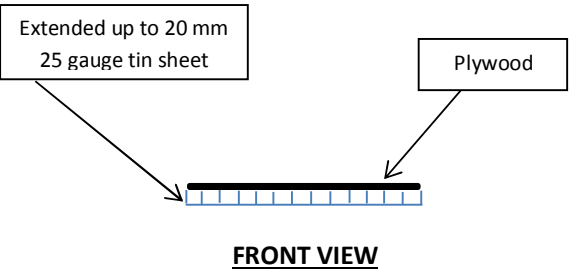
Annexure-IV: Technical Specification

Top cover design

15mm dia hole cut at every 50mm gap in tin sheet to emboss its edges in plywood board for fixing sheet

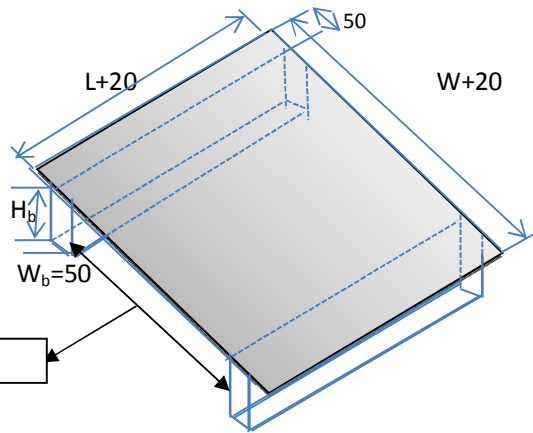


Indicative view for tin sheet fixing



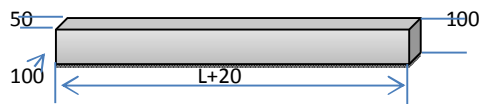
Annexure-IV: Technical Specification

Pallet



555 (+5/-0)mm

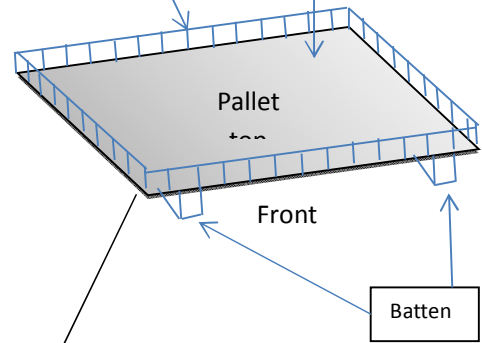
Figure without tin sheet



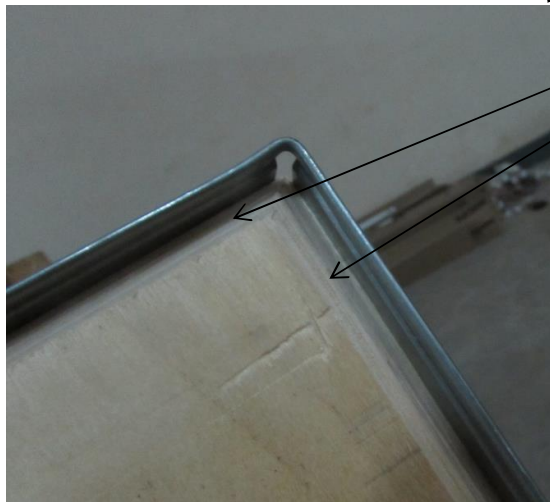
Batten

21 gauge (0.8mm) tin sheet. Must be folded/finished to remove sharp edges.

Plywood



45° cut in plywood (all 4 sides)



Annexure-IV: Technical Specification

Inside dimensions of collapsible wooden box for packing of bank note paper sheets			
Denomination	Length (mm) (L)	Width (mm) (W)	Height (mm) (H)
₹10	790	690	970
₹50	720	720	970
₹100	760	720	970
₹200	780	720	970
₹500	800	720	970
₹2000	720	720	970

OVERALL TOLERANCE OF PLYWOOD BOXES ALONG WITH BASE PALLET: The following tolerances on the nominal sizes:-

Dimension	Tolerance
Length	+/- 5 mm
Width	0/- 5 mm
Thickness	+/- 0.3 mm

The firm should maintain the tolerance of pallet, lid and packing box on the same side, ie, either all positive or all negative.

SPECIFICATION FOR PLY WOOD BOXES

1. 6mm (5ply) thick plywood board to be used for side cover. It should be collapsible.
2. 6mm (5ply) thick plywood board to be used for top cover.
3. 15mm (9ply) thick plywood board to be used for bottom cover.
4. Two no of bottom batten to be fitted across the width for pallet making.
5. Bottom battens to be fitted inside from the edges while ensuring distance between two inside edge of battens should not be less 555mm. Distance to edge of pallet from outside edge of batten to be maintained uniform.
6. Batten size-100mm (height) X50mm (width) X (W+20) mm long for pallet.
7. 10 SWG, 75mm long 5/6 nails in a row to be used to join bottom batten.
8. All ply should be class "A" and as per IS: 303 and top brands available in market i.e.
 - a. Kitply
 - b. Century Ply
 - c. Green Ply
 - d. National Plywood
 - e. Sarda Plywood
9. All plywood and battens should be fine finished and free from knots, cracks and other wood defects.
10. Battens should be made of seasoned wood fir, chir, kail, spruce, pine, salwood with less than 18% moisture.
11. Edges of the extended tin sheet should be folded in top cover and bottom pallet. The end of tin sheet should overlap the starting edge by a minimum of 10mm.
12. Nailing of tin sheet should be avoided and Pallets/ Top lids/ Side covers containing embossed tin sheets only will be accepted.

Wooden Box (Collapsible type) Page 4 of 8



Annexure-IV: Technical Specification



COMPLETE SET OF COLLAPSIBLE WOODEN PACKING BOX(indicative fig)






COLLAPSED CONDITION OF SIDE COVER (indicative fig)

Annexure-IV: Technical Specification

PLYWOOD BOXES TO BE MARKED WITH FOLLOWING SYMBOLS:-

Each Plywood boxes should to be marked following

- Month & Year of Manufacturing
- Arrow marking for opening. 
- The material should not be stored outside. 
- Recycling Symbol. 
- Company Logo & Name (Bank Note Paper Mill India Private limited, Mysuru) in the centre along the width of the side cover. (To be provided to successful bidder)
- Manufacturer Company name also to be put on boxes.
- Bottom/Top Cover/Siding to be marked with alphabet as per denomination in uppercase and **bold** (thickness-15mm) with height-100mm and width-80mm of alphabet.

Denomination	Alphabet to be marked
₹10	X
₹50	D
₹100	C
₹200	CC
₹500	D
₹2000	HD

Boxes collapsible siding to be marked with ">" to understand in which direction of box shall be packed or collapsed.

TRANSPORTATION:

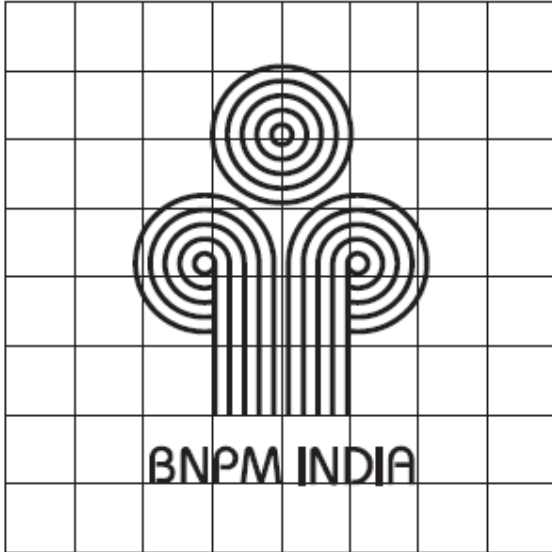
Plywood boxes to be transported in covered vehicles. Bottom/Side cover/Top lid shall be packed in wooden crate. All material to be packed section wise & then loaded in the vehicle.

Guidelines for LOGO

- 1) The LOGO should be coloured. The colour specification is as follows:
Pantone 349 U
C 90 M 30 Y 95 K 30
- 2) The Logo dimensions:
The ratio of actual to design shown below should be 2:1



Annexure-IV: Technical Specification

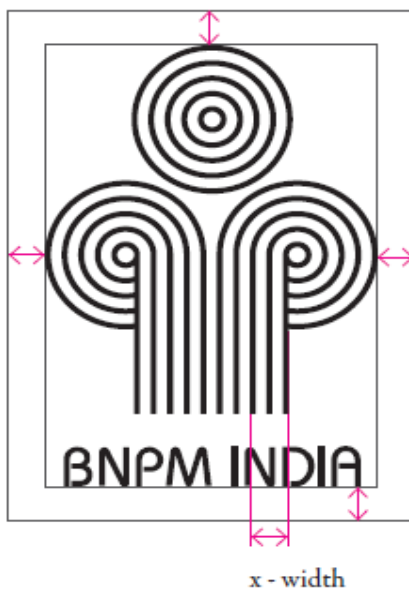


h 51.7 x w 36.4 mm

*Note: (1) Always use the artwork file provided in a CD for logo.
(2) Always re-size the logo proportionately.
(3) Do not use logo smaller than 17.5 mm in height.*

3) Safe Zone/White Space:

The x- width space from all the four sides of the logo depends upon the type of configuration through which logo ensures visibility. For example, note the horizontal configuration x-width space as shown in the below illustration. Never compose or write anything within the safe zone.



Annexure-IV: Technical Specification

4) The fonts used in the LOGO:

Fonts: Bauhaus-Thin, Regular

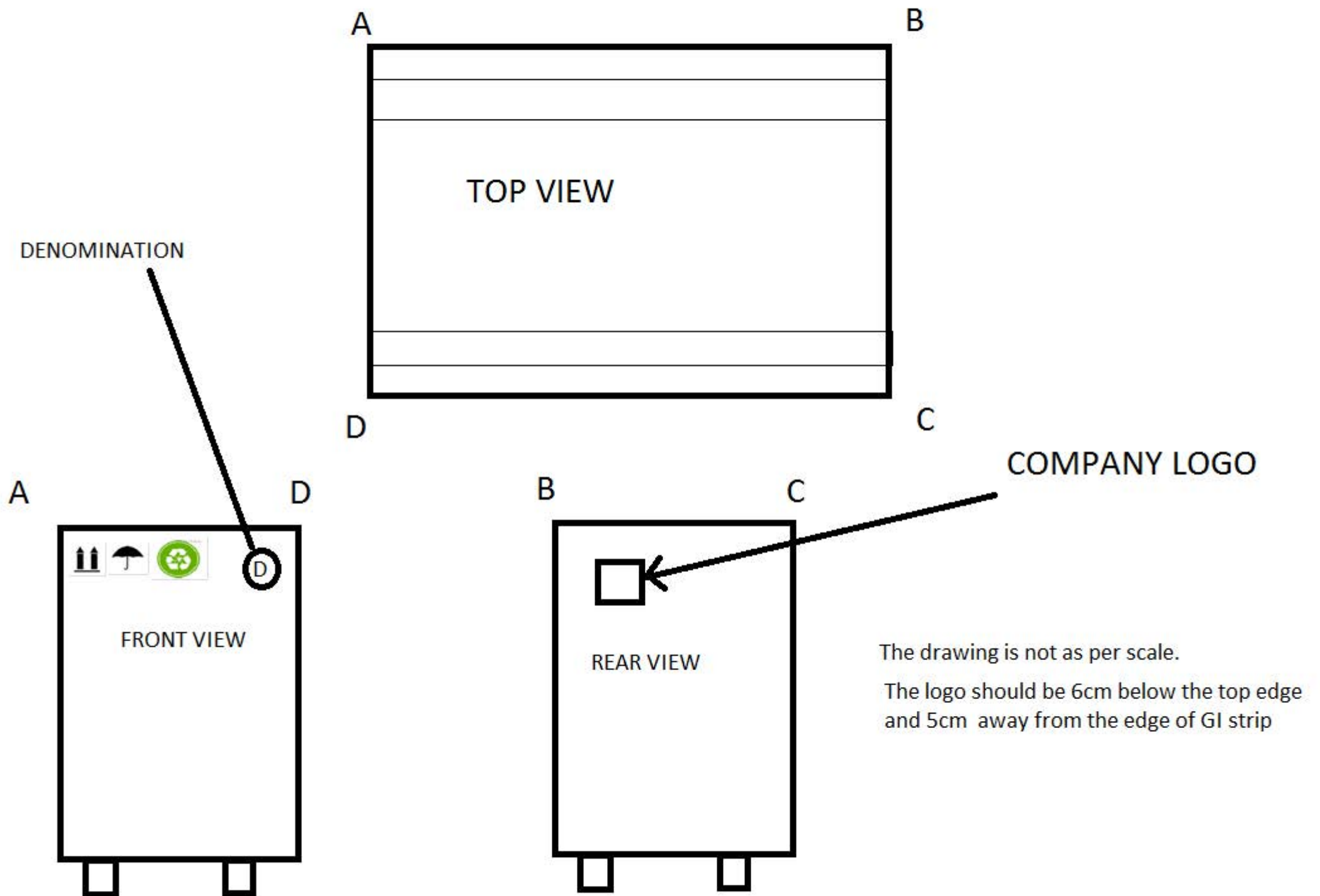
ABCDEFGHIJKLMNOPQRSTUVWXYZ

abcdefghijklmnopqrstuvwxyz

1234567890

BNPM INDIA





Location of LOGO

